



# PRO PLATE CUSTOM QUOTE FORM

## COMPANY INFORMATION

Company Name: \_\_\_\_\_ Contact Name: \_\_\_\_\_

Address: \_\_\_\_\_ Email Address: \_\_\_\_\_

City: \_\_\_\_\_ State/Province: \_\_\_\_\_ Postal Code: \_\_\_\_\_

Phone: \_\_\_\_\_ Fax: \_\_\_\_\_ Distributor: \_\_\_\_\_

**Questions? Contact Us! 714.633.0681**

Submit to: [CustomQuotes@pro-lok.com](mailto:CustomQuotes@pro-lok.com) or fax to 714.633.0470

### FINISH

Check Box For The Desired Finish

- Stainless Steel; 304 Grade
- Durododic; Powdercoated Wrinkled Finish

### LOCK AND DOOR

Quantity: \_\_\_\_\_

Lock Description: \_\_\_\_\_

Full Channel

Flat Plate

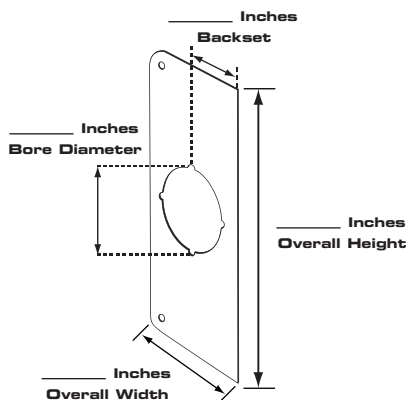
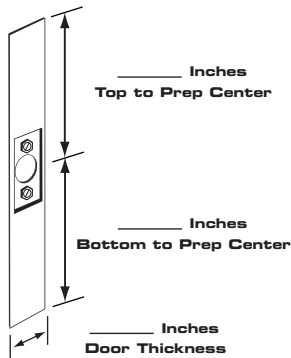
Standard Recessed

1-1/8" x 2-1/4"

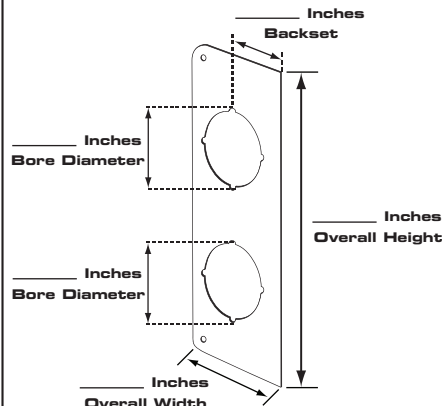
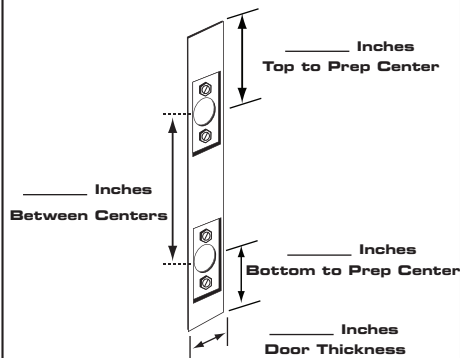
Mortise

1-1/4" x 8"

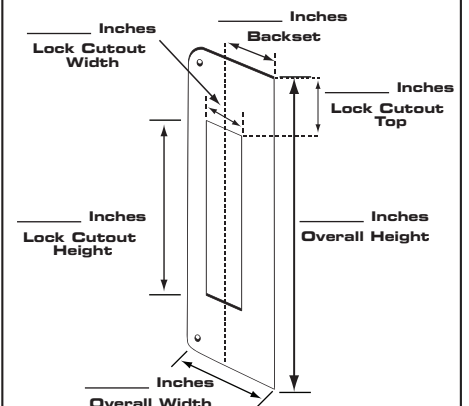
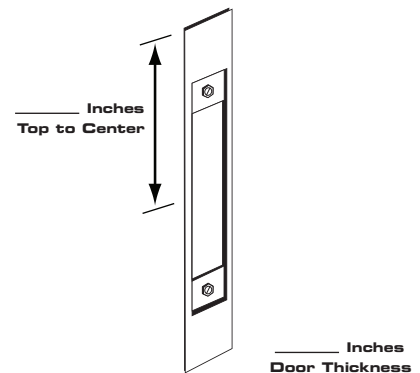
### SINGLE BORE



### DOUBLE BORE



### MORTISE



Our Family of Brands:

**PRO-LOK**

